

zehnder *wembley*

zehnder



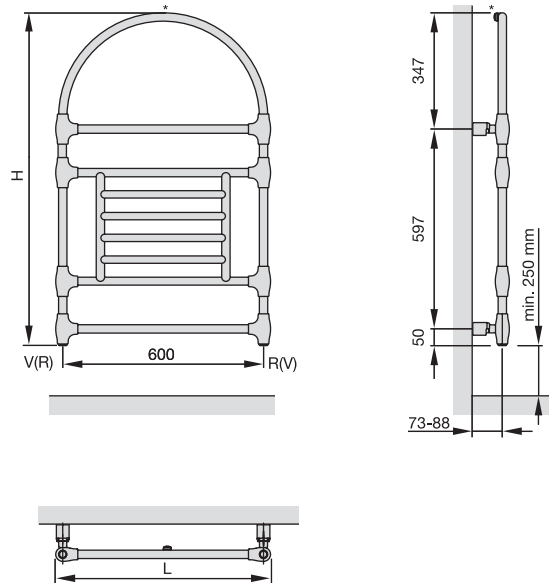
Zehnder Empire Wembley wall-mounted, towel-rail style designer radiator. Made of horizontally arranged precision-pipes joined by vertical manifolds using rounded connecting pieces. Material: brass, pipe diameter: 25 mm.

Ladder-design for easy towel drying. Heat output tested in accordance with EN 442, with CE mark. 1/2" diameter flow and return pipe connection on the outer vertical pipes at the bottom; Radiators made of brass and include brackets and air vent.

Material: Brass
 Operating pressure: up to 6.9 bar
 Connection: From below, G 1/2"
 Coating: chrome plated.

Depth 62 mm

V – Flow pipe, diameter 1/2"
 R – Return pipe, diameter 1/2"
 * – Ventilation 1/2" to the rear



Models for closed heating systems:

Model	Overall height (mm)	Overall length (mm)	Heat output (W)	
			$\Delta T = 50K$	$\Delta T = 60K$
LVWEC-100-64	995	642	237	297

Custom designs available upon request (subject to surcharge)

- Valve set including:
 - 1 pair of chromed valve bodies angled 1/2" - Euroconus
 - 1 pair of chromed manual cross handwheels \varnothing 64 mm
 - 1 pair of chromed compression fittings for copper pipe 15 mm
- Zehnder Thermostat SH, M 30 x 1.5 chrome



VAE Kit Minimalist chromed 1/2" x 15 mm
 Article-nr. 850318

Zehnder Group
 Export Division
 Information Office
 Almweg 34
 D-77933 Lahr
 Tel. +49 (0) 7821 586 392
 Fax +49 (0) 7821 586 406
 zehnderexport@zehndergroup.com
 www.zehnder.eu

Zehnder Group
 Export Division
 Information Office
 7, rue Jean Mermoz
 F-91031 Evry Cedex
 Tél 33 1 69 36 16 15
 Fax 33 1 69 36 15 33
 export@zehndergroup.com
 www.zehnder.eu