

**zehnder** *nosta*

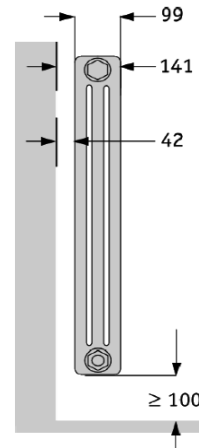
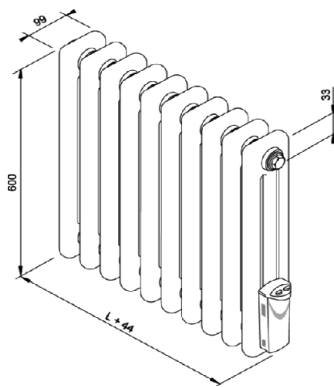
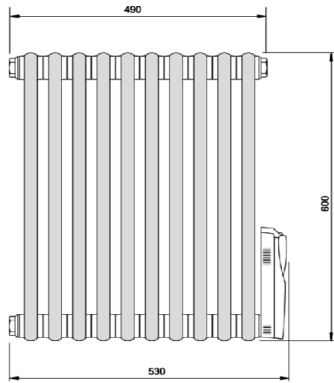
**zehnder**



# zehnder *nosta*

The Zehnder Nosta tube-type radiator first appeared in 1930 and today it is considered to be a design classic. German quality. Graceful appearance. Clarity of lines and excellent indoor climate by the virtue of high degree of radiant heating. For better well-being, without drafts and columns of dust. Zehnder Nosta is an electric radiator and therefore independent of the heating system.

The compact model selection fits any room. Over 700 colours from RAL catalogue or clear Technoline lacquer are available. Fast and simple installation.



**Material - steel, pipe Ø 25 mm**

**Wall thickness - 1.5 mm**

Coating: enamel (colour selection shown in Zehnder catalog), clear lacquer (Technoline)

Electric only: Double function box

Model	Overall height (mm)	Overall length (mm)	Immersion Electric rating (W)
<b>NZ 060-053</b>	600	530	500
<b>NZ 060-062</b>	600	622	750
<b>NZ 060-076</b>	600	760	1000
<b>NZ 060-089</b>	600	898	1250
<b>NZ 060-103</b>	600	1036	1500
<b>NZ 060-131</b>	600	1312	2000



Zehnder Group  
Export Division  
Information Office  
Almweg 34  
D-77933 Lahr  
Tel. +49 (0) 7821 586 392  
Fax +49 (0) 7821 586 406  
zehnderexport@zehndergroup.com  
www.zehnder.eu



Zehnder Group  
Export Division  
Information Office  
7, rue Jean Mermoz  
F-91031 Evry Cedex  
Tél 33 1 69 36 16 15  
Fax 33 1 69 36 15 33  
export@zehndergroup.com  
www.zehnder.eu

**zehnder**